



D 100 AHA



www.ausa.com

AUSA Center, S.L. ● Ctra. de Vic, Km 2.8 - P.O.B. 194. 08243 Manresa - BARCELONA (ESPAÑA) Tel.: +34 93 874 73 11 - E-mail: ausa@ausa.com



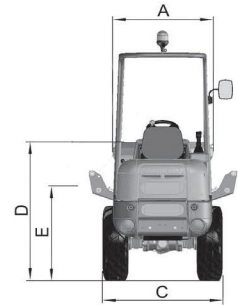
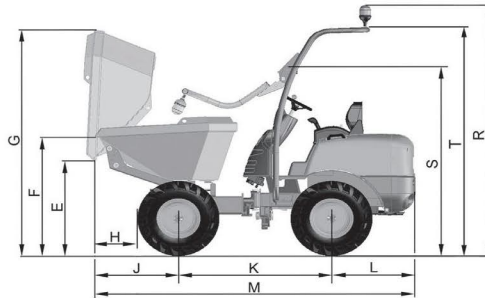
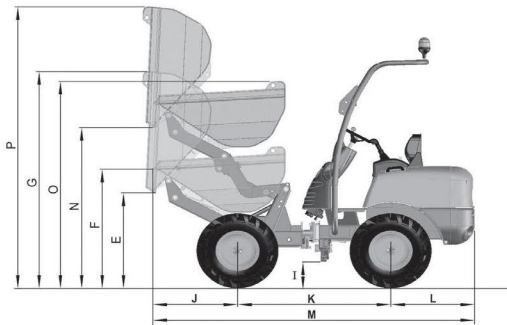
AUSA Madrid ● Pol. Ind. Coslada - C. Marconi 15-17. 28823 Coslada - MADRID (ESPAÑA) Tel.: +34 91 669 00 06 - E-mail: ausa.madrid@ausa.com
AUSA France ● Z. I. Saint Charles - Rue de Zürich, 66000 PERPIGNAN (FRANCE) Tel.: +33 (0) 4 68 54 38 97 - E-mail: ausa.france@ausa.com
AUSA Deutschland ● Heinrich - Welken Str. 5. 59069 HAMM (GERMANY) Tel.: +49 (0) 2384-9889905 - E-mail: ausa.deutschland@ausa.com
BEIJING Rep. Office ● Address Room 527. HengXiang Building, Tuanjieshu Nanli, Chaoyang District. - BEIJING 100026 (CHINA)
 Tel.: 86-10-8597 1983 - Fax: 86-10-8597 1993 - E-mail: ausa.china@ausa.com

AUSA UK ● Tel.: 07970639988 - E-mail: ausa.uk@ausa.com

(Sede central AUSA-Manresa)

D 100 AHA_1000 Kg

| DIMENSIONS (mm) | |
|-----------------|------------------------|
| D 100 AHA | |
| A | 990 |
| B | - |
| C | 1100 (1180, 1030, 990) |
| D | 1440 |
| E | 935 |
| F | 1230 |
| G | 2235 |
| H | 485 |
| I | 220 |
| J | 822 |
| K | 1500 |
| L | 820 |
| M | 3142 |
| N | 1635 |
| O | 2135 |
| P | 2935 |
| R | 2605 |
| S | 1955 |
| T | 2375 |



TECHNICAL SPECIFICATIONS

| | | D 100 AHA |
|-------------------------------------|-------------------------------|--|
| Load capacity (Kg) | | 1000 / 1200 |
| Unloading system | | Hydraulic tipping |
| Chassis | | Articulated +/- 35° and oscillating +/- 13° |
| Hopper capacities (l) | Water | 345 / 425 |
| | Levelled | 395 / 515 |
| | Heaped | 505 / 680 |
| Engine | | Kubota D1105 |
| | Power acc./SAE J 1995 (KW/CV) | 16,8 KW / 22,8 CV (2700 rpm) |
| | N° of Cylinders | 3 |
| | Cooling system | Water |
| Traction | | 4 x 4 permanent |
| Transmission | | Hydrostatic with variable flow pump automatic regulation. Forward and reverse control on the joystick. |
| Engine starting system | | Electric |
| Speed (max.) (Km/h) | | 15 / 17 |
| Axles | | Axles with planetary wheel reduction |
| Unladen weight (Kg) | | 1300 / 1375 |
| Gradeability | | 38% / 48% |
| Hydraulic circuit | | Gear pump of 8 cc. Pression de travail 170 bar. / 210 bar. |
| Tyres | Standard | 27x8.50-15" / 10.0/75-15.3" |
| | Optional | 11.0 / 65 - 12; 7.00-12; 6.5/80 (D 100 AHA) |
| External turning radius (mm) | | 3060 |
| Steering | | Hydraulic |
| Tank capacity (l) | Fuel | 23 |
| | Hydraulic fluid | 21.2 |
| Service and parking brake | | Sealed oil-immersed, multidisc, mechanically operated |
| STANDARD EQUIPMENT | | Anti vandal system Ergonomic with safety belt Joystick ROPS Rotating beacon Rear view mirror Audible reverse warning (Std. UK) |